

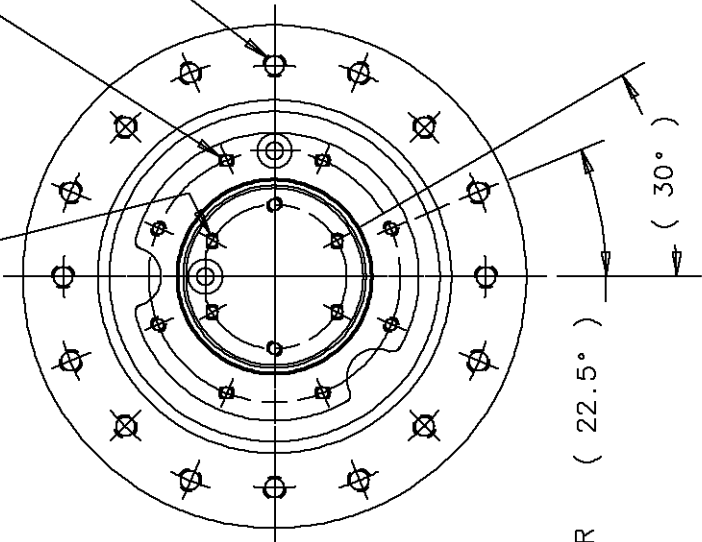
2nd STAGE HEAT STATION
MOUNTING HOLES
M4 x 0.7-6H THD. THRU
(6) HOLES EQ. SPACED ON
A ϕ 1.500 [38.1 mm] B.C.

VARIABLE ORIFICE

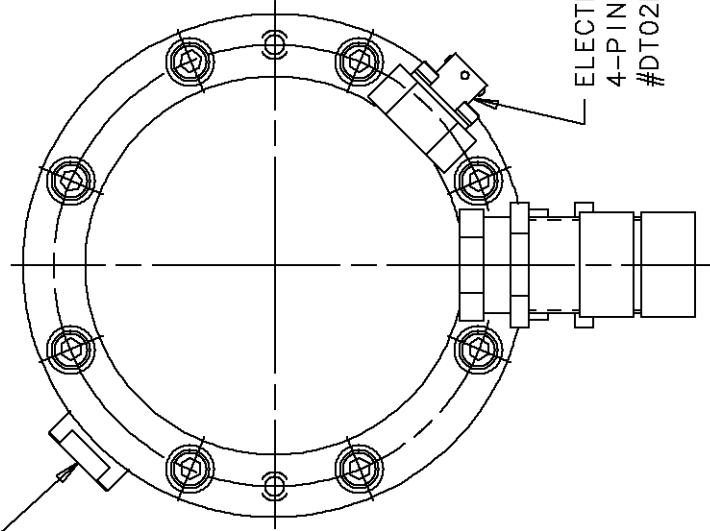
1st STAGE HEAT STATION
MOUNTING HOLES
M4 x 0.7-6H THD. THRU
(8) HOLES EQ. SPACED ON A
 ϕ 2.625 [66.7 mm] B.C.

WARM FLANGE MOUNTING HOLES
M6 x 1.0-6H THD. x
.62 [15.7 mm] DP.
(8) HOLES EQ. SPACED ON A
 ϕ 4.409 [112 mm] B.C.

ELECTRICAL CONNECTOR
4-PIN, DETORONICS
#DT02H-8-4PN



VIEW Z-Z



VIEW Y-Y

TITLE

OUTLINE DRAWING
COLD HEAD ASSEMBLY
CH-204S

REV. A



NO. 266652D-C
SHEET 2 OF 2

| REV. | CRSP NO. | DATE | BY | MFG. | QUAL. | ENGR. |
|------|-----------|------|-----|------|-------|-------|
| | 15 MAR 06 | | JPK | YB | RGS | ERS |

PROPRIETARY NOTICE: THIS DOCUMENT IS THE PROPERTY OF SUMITOMO (SHI) CRYOGENICS OF AMERICA, INC., AND SHALL NOT, WITHOUT THE EXPRESS WRITTEN PERMISSION OF SCAI, BE REPRODUCED OR COPIED IN WHOLE OR IN PART BY ANY PERSON OUTSIDE OF SCAI OR, IF LOANED BY SCAI TO SUCH PERSON, SHALL NOT BE USED FOR FURNISHING INFORMATION TO ANY THIRD PARTY OR FOR ANY PURPOSE OTHER THAN THAT FOR WHICH IT IS LOANED.
FORM NO. DD102089-A Rev. B (3/00)