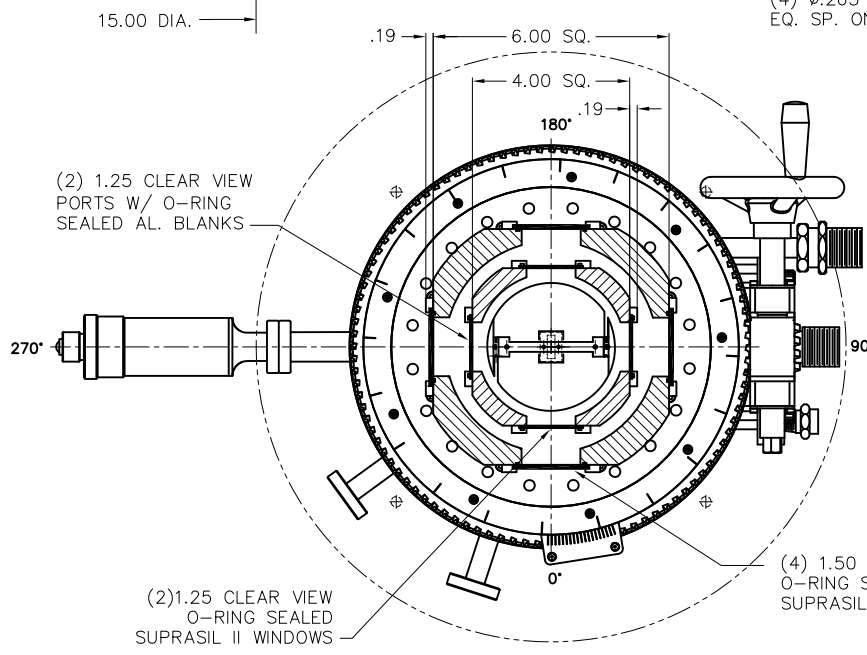
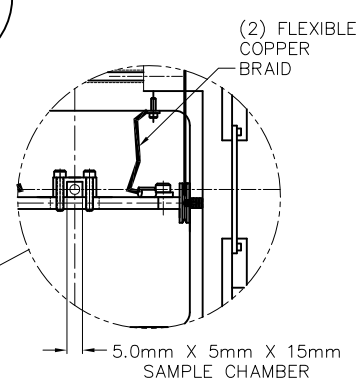
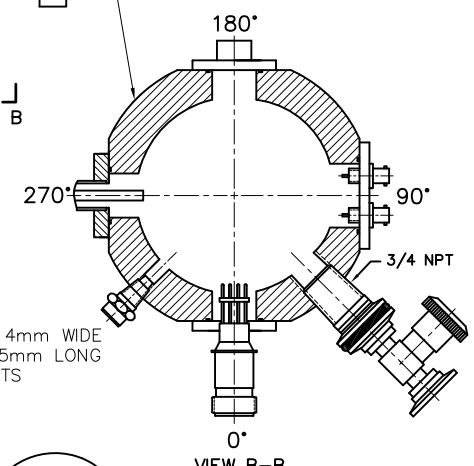
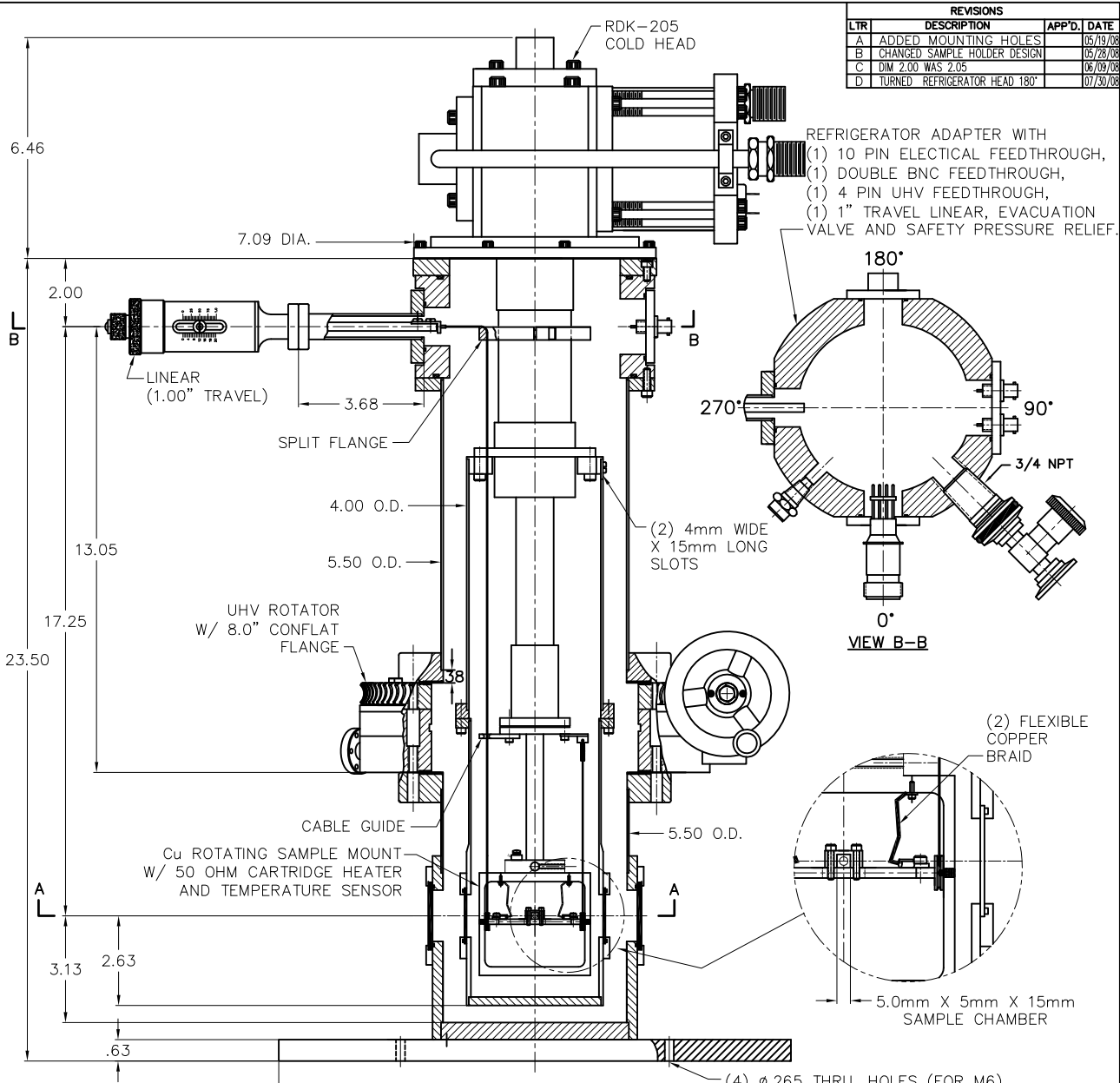


REVISIONS			
LTR	DESCRIPTION	APP'D.	DATE
A	ADDED MOUNTING HOLES		06/19/08
B	CHANGED SAMPLE HOLDER DESIGN		06/28/08
C	DIM 2.00 WAS 2.05		06/09/08
D	TURNED REFRIGERATOR HEAD 180°		07/30/08



NOTE: ALL DIMENSIONS ARE IN INCHES

CONFIDENTIAL AND PROPRIETARY THIS DRAWING AND/OR INFORMATION CONTAINED HEREIN IS THE SOLE PROPERTY OF THE JANIS RESEARCH COMPANY AND IS NOT TO BE RELEASED OR DIVULGED TO THIRD PARTIES WITHOUT THE EXPRESSED, WRITTEN CONSENT OF THE JANIS RESEARCH COMPANY, INC.			APPROVALS			JANIS RESEARCH CO. WILMINGTON, MA.		
			DEPT.	SIG.	DATE	TITLE		
DWG BY	T.M.	04/28/08	SPECIAL SHI-4-5 CRYOSTAT					
ENG BY			SIZE	DRAWING NO.	REV.			
G.C.			D	D04-28-08B	D			
RELEASED TO MFG BY			P. N.	SCALE	SHT 1 OF 1			
CUST. APPROVAL BY				5/8				