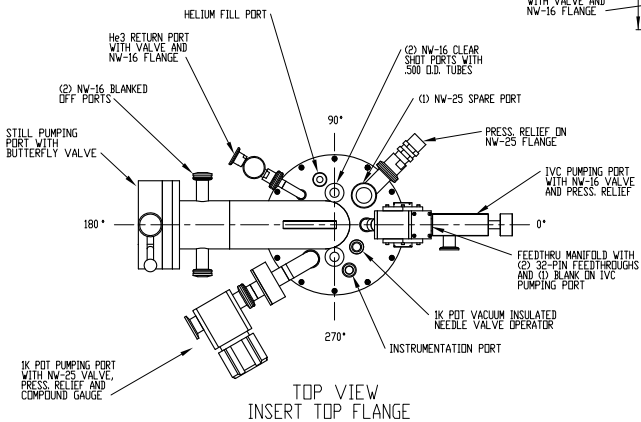
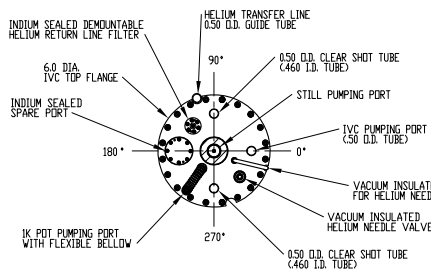


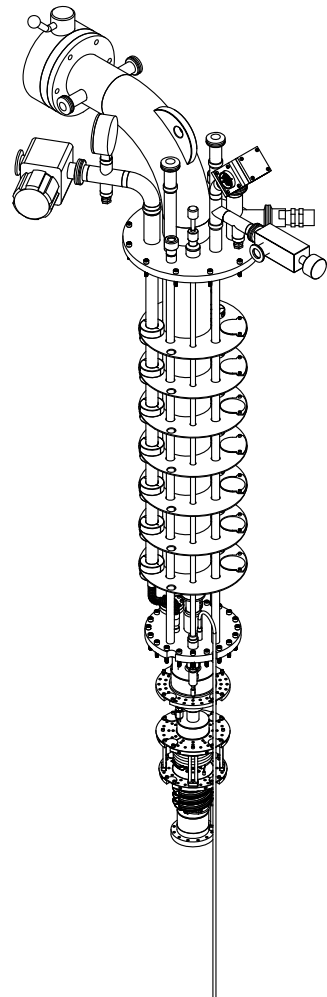
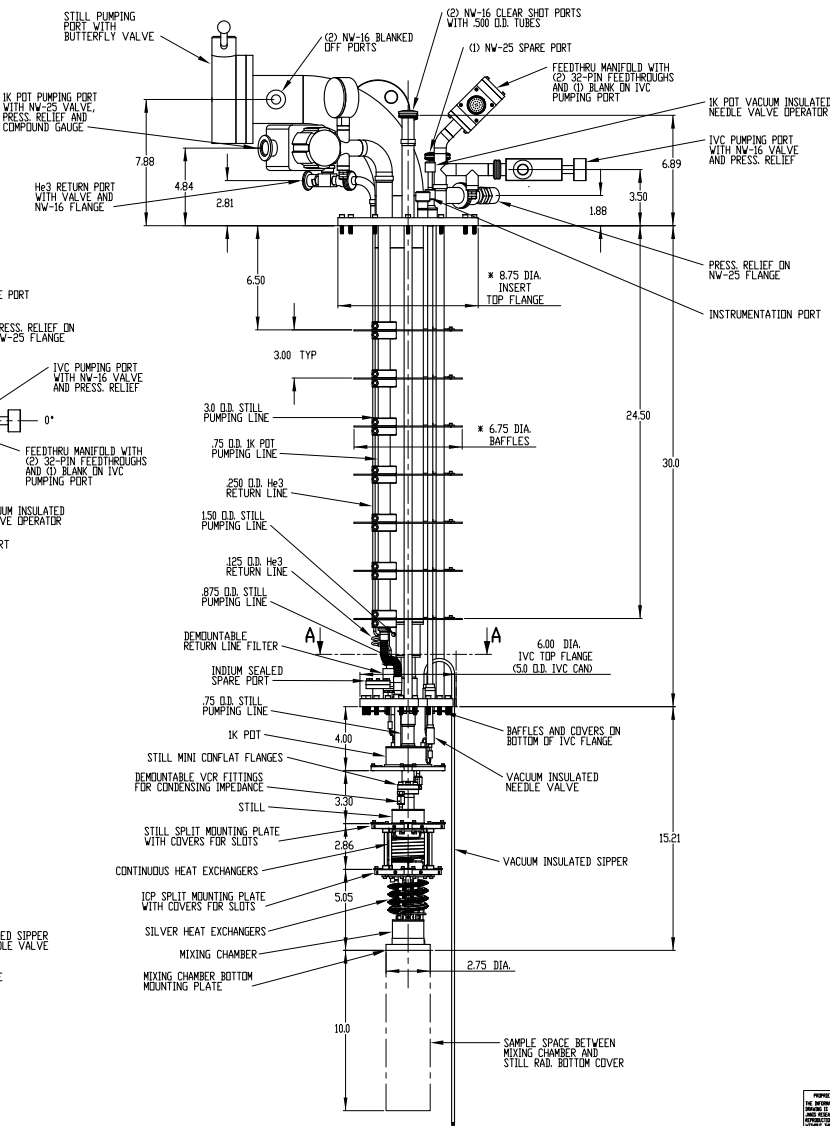
* NOTE:
 THIS JDR-250 STANDARDIZATION DESIGN HAS THE HELIUM FILL PORT AND INSTRUMENTATION PORT ON THE DILUTION REFRIGERATOR INSERT TOP FLANGE FOR CUSTOMER'S SYSTEM WITHOUT A MAGNET. IF THE CUSTOMER'S SYSTEM INCLUDES A MAGNET, THE HELIUM FILL PORT AND INSTRUMENTATION PORT WILL BE LOCATED ON THE MAGNET SUPPORT TOP FLANGE. THEREFORE, THE DILUTION REFRIGERATOR INSERT TOP FLANGE WILL BE REDUCED TO 8.125" DIAMETER AND THE RADIATION BAFFLES WILL BE REDUCED TO 6.50" DIAMETER.



TOP VIEW
 INSERT TOP FLANGE



SECTION A-A
 IVC TOP FLANGE



UNLESS OTHERWISE SPECIFIED:		DATE	REV	JANIS RESEARCH CO., INC.	
ENGINEERING	DESIGN	DATE	REV	TITLE	
DESIGNED BY	CHECKED BY	DATE	REV	JDR-250-DP DILUTION REFRIGERATOR SYSTEM	
DRAWN BY	APPROVED BY	DATE	REV	STANDARD	
FOR SALES PRESENTATION	FOR SALES PRESENTATION	DATE	REV	D02-12-08C	
SCALE: 2:1	WEIGHT:	SHEET 1 OF 1			