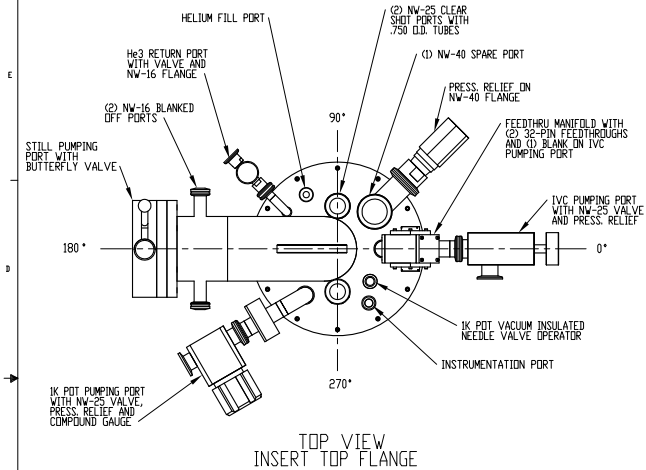
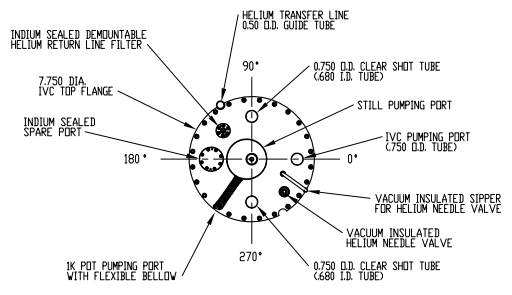


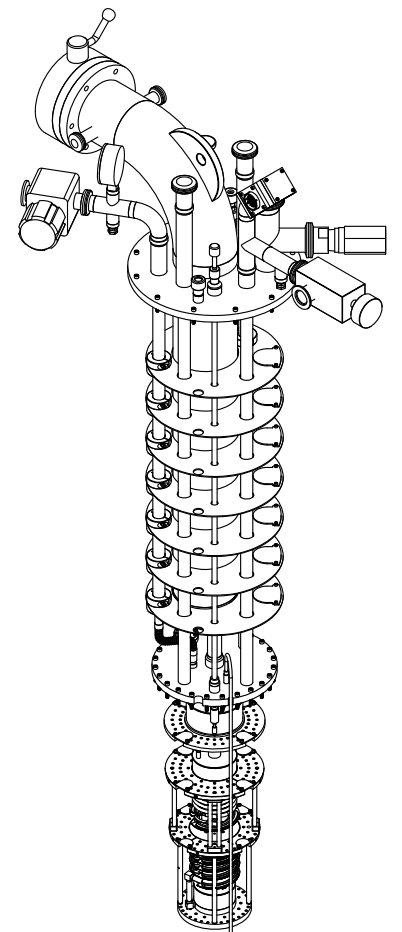
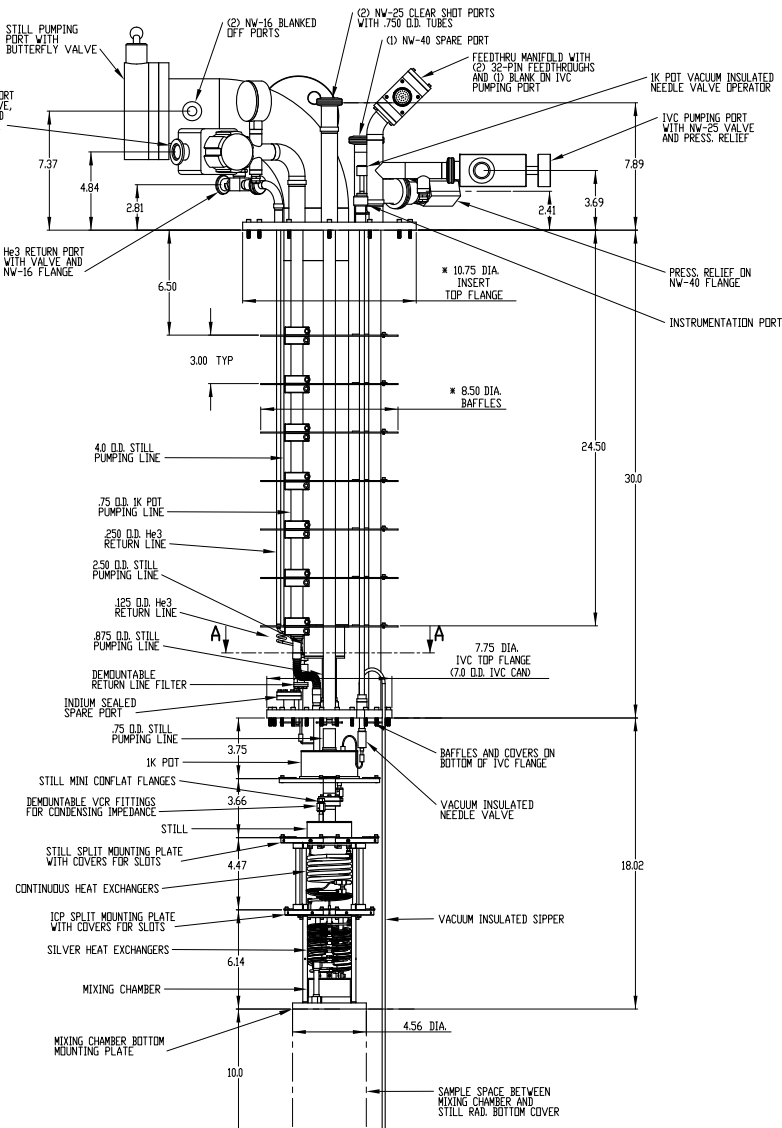
\* NOTE:  
 THIS JDR-750 STANDARDIZATION DESIGN HAS THE HELIUM FILL PORT AND INSTRUMENTATION PORT ON THE DILUTION REFRIGERATOR INSERT TOP FLANGE FOR CUSTOMER'S SYSTEM WITHOUT A MAGNET. IF THE CUSTOMER'S SYSTEM INCLUDES A MAGNET, THE HELIUM FILL PORT AND INSTRUMENTATION PORT WILL BE LOCATED ON THE MAGNET SUPPORT TOP FLANGE. THEREFORE, THE DILUTION REFRIGERATOR INSERT TOP FLANGE WILL BE REDUCED TO 9.75" DIAMETER AND THE RADIATION BAFFLES WILL BE REDUCED TO 8.0" DIAMETER.



TOP VIEW  
 INSERT TOP FLANGE



SECTION A-A  
 IVC TOP FLANGE



| UNLESS OTHERWISE SPECIFIED |      | DATE | BY | CHKD | APP'D |
|----------------------------|------|------|----|------|-------|
| DESIGNED BY                | DATE |      |    |      |       |
| DRAWN BY                   | DATE |      |    |      |       |
| CHECKED BY                 | DATE |      |    |      |       |
| ENG APP'D                  | DATE |      |    |      |       |
| MFG APP'D                  | DATE |      |    |      |       |
| TEST APP'D                 | DATE |      |    |      |       |
| REVISIONS                  | DATE |      |    |      |       |
| NO                         | DATE |      |    |      |       |
| 1                          |      |      |    |      |       |
| 2                          |      |      |    |      |       |
| 3                          |      |      |    |      |       |
| 4                          |      |      |    |      |       |
| 5                          |      |      |    |      |       |
| 6                          |      |      |    |      |       |
| 7                          |      |      |    |      |       |
| 8                          |      |      |    |      |       |
| 9                          |      |      |    |      |       |
| 10                         |      |      |    |      |       |
| 11                         |      |      |    |      |       |
| 12                         |      |      |    |      |       |
| 13                         |      |      |    |      |       |
| 14                         |      |      |    |      |       |
| 15                         |      |      |    |      |       |
| 16                         |      |      |    |      |       |
| 17                         |      |      |    |      |       |
| 18                         |      |      |    |      |       |
| 19                         |      |      |    |      |       |
| 20                         |      |      |    |      |       |
| 21                         |      |      |    |      |       |
| 22                         |      |      |    |      |       |
| 23                         |      |      |    |      |       |
| 24                         |      |      |    |      |       |
| 25                         |      |      |    |      |       |
| 26                         |      |      |    |      |       |
| 27                         |      |      |    |      |       |
| 28                         |      |      |    |      |       |
| 29                         |      |      |    |      |       |
| 30                         |      |      |    |      |       |
| 31                         |      |      |    |      |       |
| 32                         |      |      |    |      |       |
| 33                         |      |      |    |      |       |
| 34                         |      |      |    |      |       |
| 35                         |      |      |    |      |       |
| 36                         |      |      |    |      |       |
| 37                         |      |      |    |      |       |
| 38                         |      |      |    |      |       |
| 39                         |      |      |    |      |       |
| 40                         |      |      |    |      |       |
| 41                         |      |      |    |      |       |
| 42                         |      |      |    |      |       |
| 43                         |      |      |    |      |       |
| 44                         |      |      |    |      |       |
| 45                         |      |      |    |      |       |
| 46                         |      |      |    |      |       |
| 47                         |      |      |    |      |       |
| 48                         |      |      |    |      |       |
| 49                         |      |      |    |      |       |
| 50                         |      |      |    |      |       |
| 51                         |      |      |    |      |       |
| 52                         |      |      |    |      |       |
| 53                         |      |      |    |      |       |
| 54                         |      |      |    |      |       |
| 55                         |      |      |    |      |       |
| 56                         |      |      |    |      |       |
| 57                         |      |      |    |      |       |
| 58                         |      |      |    |      |       |
| 59                         |      |      |    |      |       |
| 60                         |      |      |    |      |       |
| 61                         |      |      |    |      |       |
| 62                         |      |      |    |      |       |
| 63                         |      |      |    |      |       |
| 64                         |      |      |    |      |       |
| 65                         |      |      |    |      |       |
| 66                         |      |      |    |      |       |
| 67                         |      |      |    |      |       |
| 68                         |      |      |    |      |       |
| 69                         |      |      |    |      |       |
| 70                         |      |      |    |      |       |
| 71                         |      |      |    |      |       |
| 72                         |      |      |    |      |       |
| 73                         |      |      |    |      |       |
| 74                         |      |      |    |      |       |
| 75                         |      |      |    |      |       |
| 76                         |      |      |    |      |       |
| 77                         |      |      |    |      |       |
| 78                         |      |      |    |      |       |
| 79                         |      |      |    |      |       |
| 80                         |      |      |    |      |       |
| 81                         |      |      |    |      |       |
| 82                         |      |      |    |      |       |
| 83                         |      |      |    |      |       |
| 84                         |      |      |    |      |       |
| 85                         |      |      |    |      |       |
| 86                         |      |      |    |      |       |
| 87                         |      |      |    |      |       |
| 88                         |      |      |    |      |       |
| 89                         |      |      |    |      |       |
| 90                         |      |      |    |      |       |
| 91                         |      |      |    |      |       |
| 92                         |      |      |    |      |       |
| 93                         |      |      |    |      |       |
| 94                         |      |      |    |      |       |
| 95                         |      |      |    |      |       |
| 96                         |      |      |    |      |       |
| 97                         |      |      |    |      |       |
| 98                         |      |      |    |      |       |
| 99                         |      |      |    |      |       |
| 100                        |      |      |    |      |       |

JANIS RESEARCH CO., INC.  
 TITLE: JDR-750-DP DILUTION REFRIGERATOR SYSTEM  
 STANDARD  
 FOR SALES PRESENTATION  
 SIZE: 11x14  
 D02-14-08E  
 SCALE: 2:1 WEIGHT: SHEET 1 OF 1