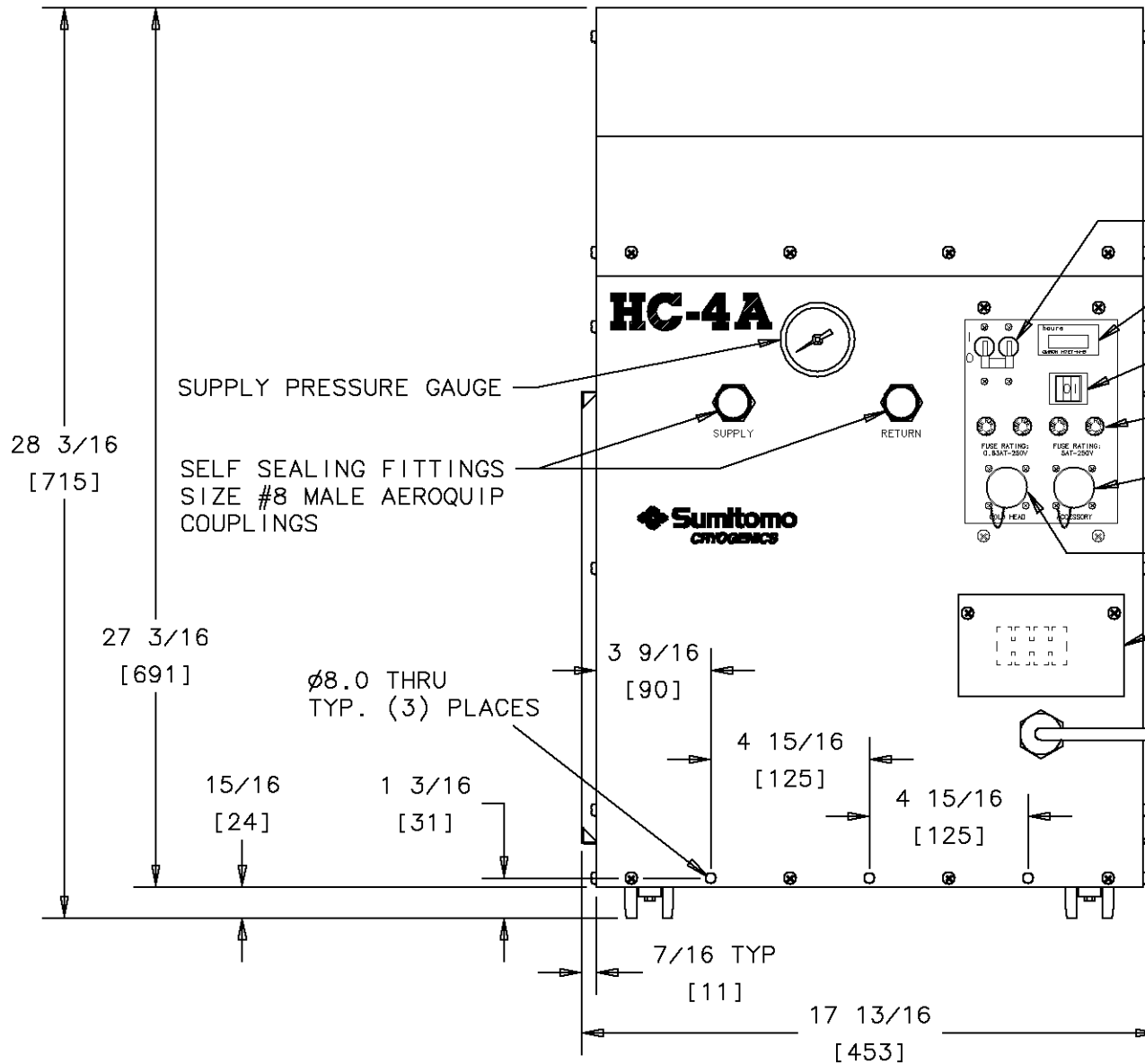


NOTE:
 COMPRESSOR OVERALL DIMENSIONS
 715 HIGH X 453 WIDE X 485 DEEP
 (WITHOUT TRANSFORMER)



- 20A CIRCUIT BREAKER
- ELAPSED TIME METER
- LOCAL ON/OFF SWITCH
- FUSES
- RECEPTACLE FOR AUXILLARY POWER AND REMOTE ON / OFF
- COLD HEAD RECEPTACLE
- FIELD WIRING TERMINAL BLOCK ACCESS PANEL
- COMPRESSOR POWER CORD
- SUPPLY PRESSURE GAUGE
- SELF SEALING FITTINGS SIZE #8 MALE AEROQUIP COUPLINGS
- SUPPLY
- RETURN

COMPRESSOR VAR. NO.	ELECTRICAL SYSTEM
267794D26G-C	220V/1 ϕ /60Hz AND 200V/1 ϕ /50Hz
267794D1526G-C	220V/1 ϕ /50Hz OR 220V/1 ϕ /60Hz & 200V/1 ϕ /50Hz
267794D1626G-C	230V-240V/1 ϕ /50Hz OR 220V/1 ϕ /60Hz & 200V/1 ϕ /50Hz

PROJECT: compr_hc4a

FRONT VIEW

TITLE

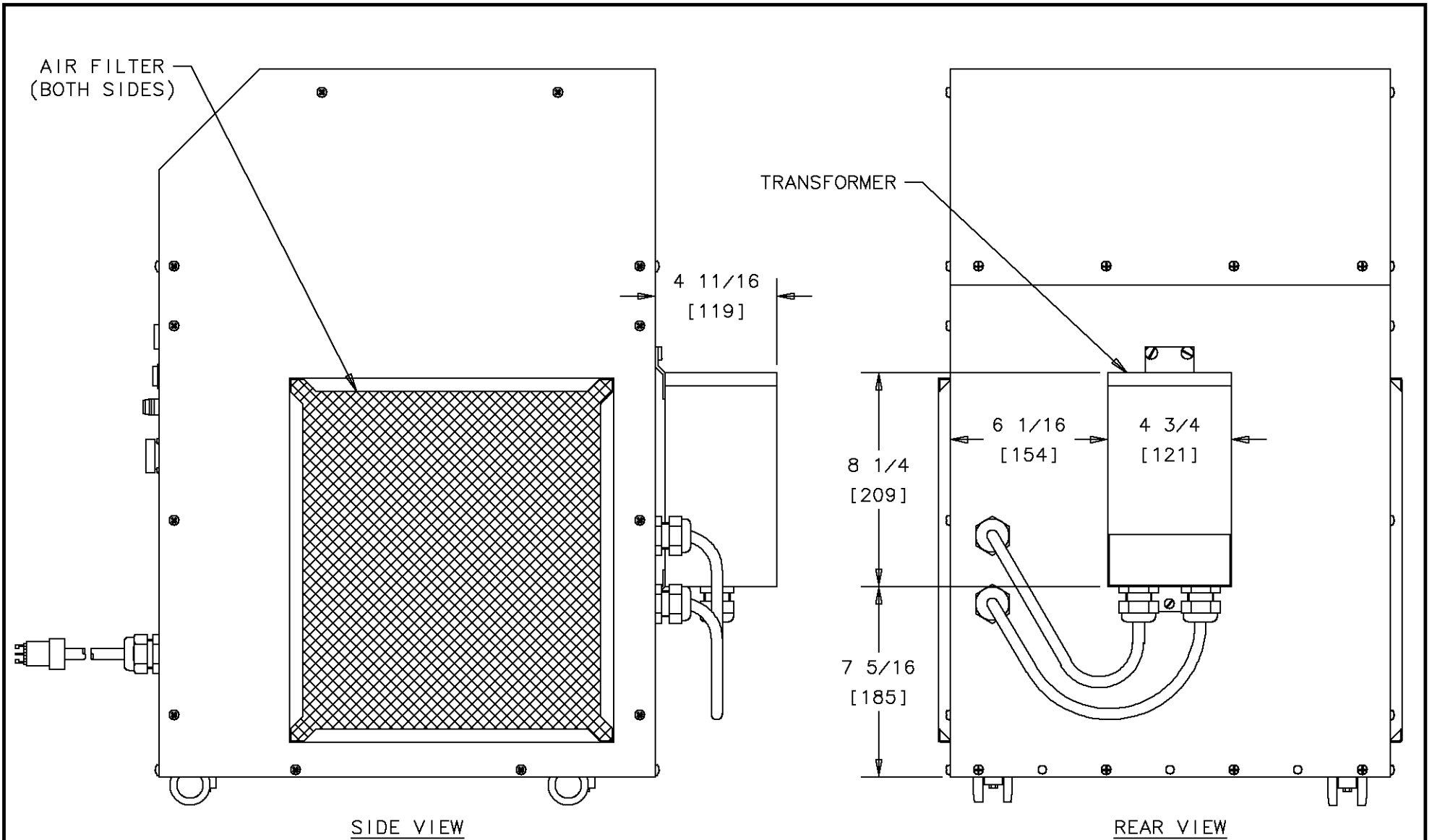
OUTLINE DRAWING
 HC-4A "ZEPHYR" AIR-COOLED COMPRESSOR



REV.	CRSP NO.	DATE	BY	MFG.	QUAL.	ENGR.
		3/23/2010	KJJ	RBS	RGS	SBD

NO. 267794D-C
 SHEET 1 OF 2

PROPRIETARY NOTICE: THIS DOCUMENT IS THE PROPERTY OF SUMITOMO (SHI) CRYOGENICS OF AMERICA, INC., AND SHALL NOT, WITHOUT THE EXPRESS WRITTEN PERMISSION OF SCAI, BE REPRODUCED OR COPIED IN WHOLE OR IN PART BY ANY PERSON OUTSIDE OF SCAI OR, IF LOANED BY SCAI TO SUCH PERSON, SHALL NOT BE USED FOR FURNISHING INFORMATION TO ANY THIRD PARTY OR FOR ANY PURPOSE OTHER THAN THAT FOR WHICH IT IS LOANED.



NOTE:

TRANSFORMER REQUIRED FOR VARIATIONS 267794D1526G-C & 267794D1626G-C ONLY.

REV.	CRSP NO.	3/23/2010	KJJ	RBS	RGS	SBD
	DATE		BY	MFG.	QUAL.	ENGR.

TITLE

OUTLINE DRAWING
 HC-4A "ZEPHYR" AIR-COOLED COMPRESSOR



NO. 267794D-C
 SHEET 2 OF 2