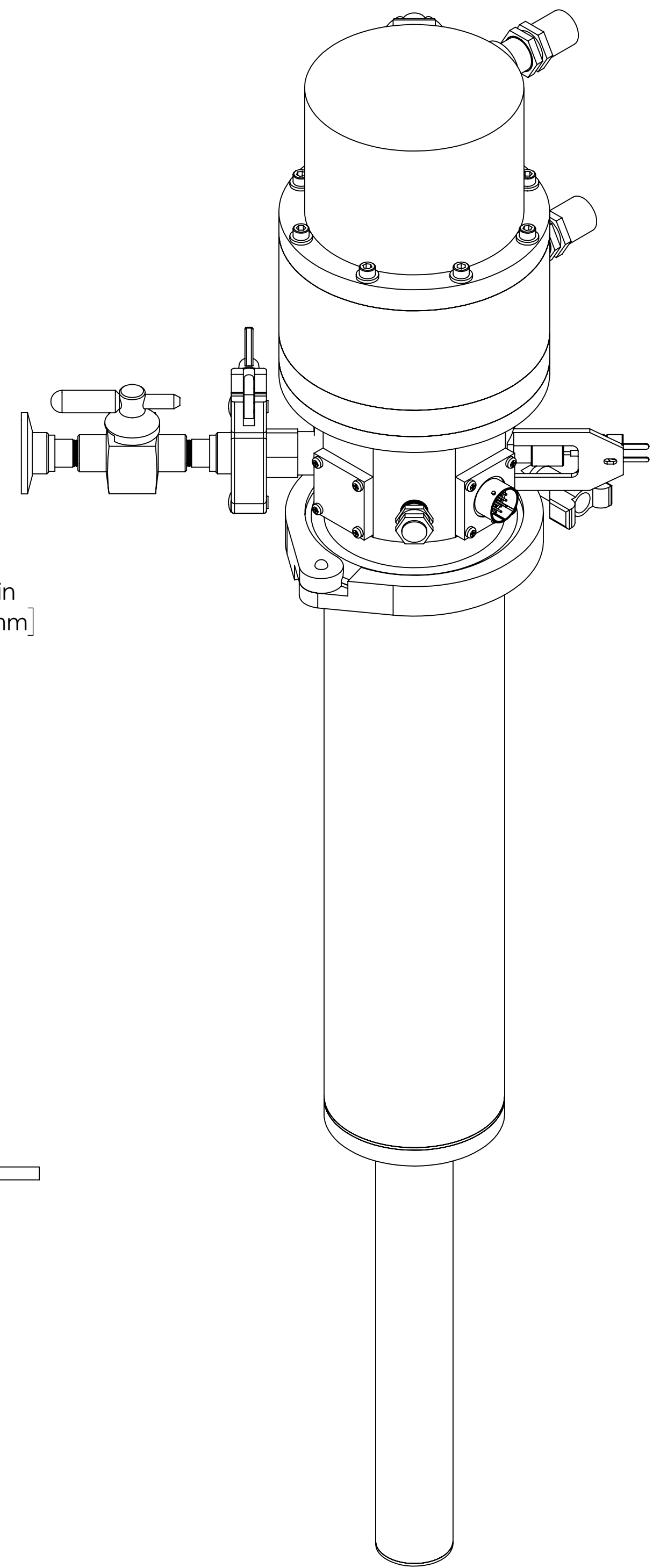
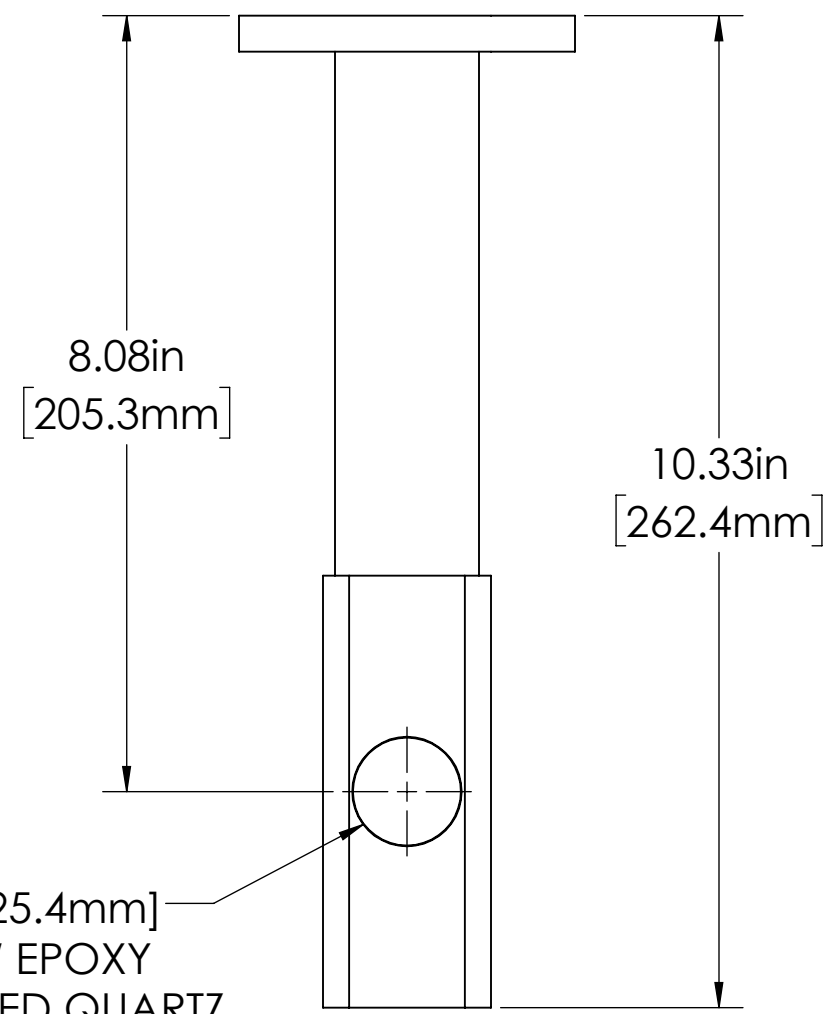
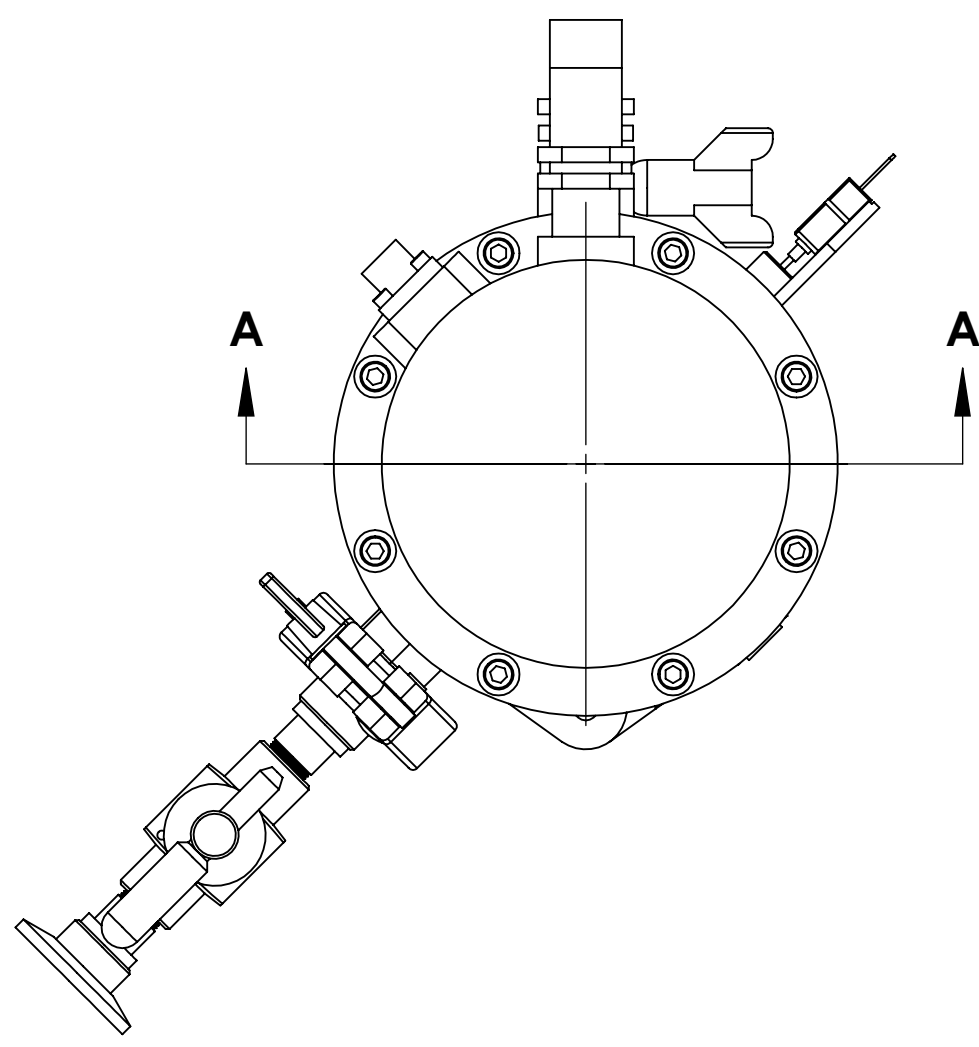
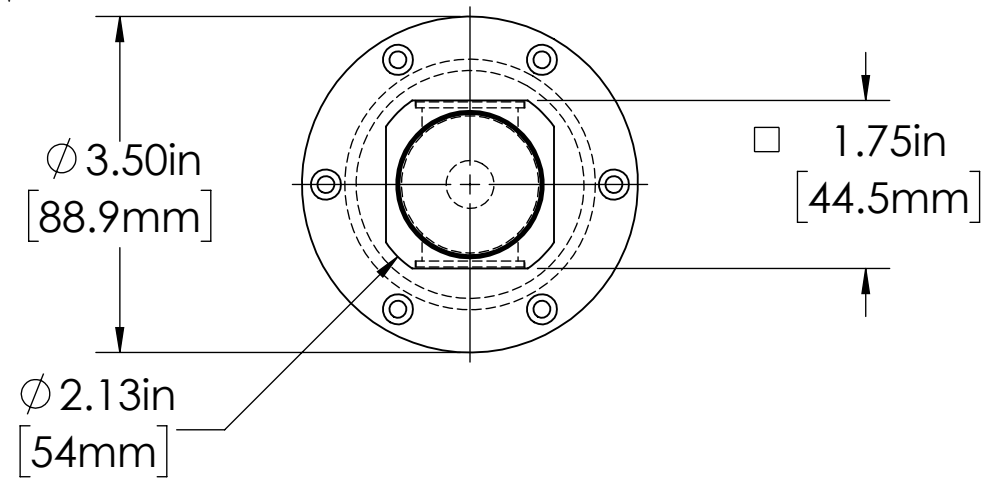


NOTICE - PROPRIETARY INFORMATION
 THE DESIGN AND RELATED INFORMATION CONTAINED HEREIN IS THE SOLE
 PROPERTY OF JANIS RESEARCH.
 THE DISCLOSURE OF THIS INFORMATION DOES NOT CONSTITUTE THE RELEASE OF
 ANY PROPRIETARY RIGHTS THEREIN. PERMISSION TO REPRODUCE THIS
 INFORMATION OR THE PRODUCTS DISCLOSED HEREIN MUST BE OBTAINED IN
 WRITING FROM JANIS RESEARCH.

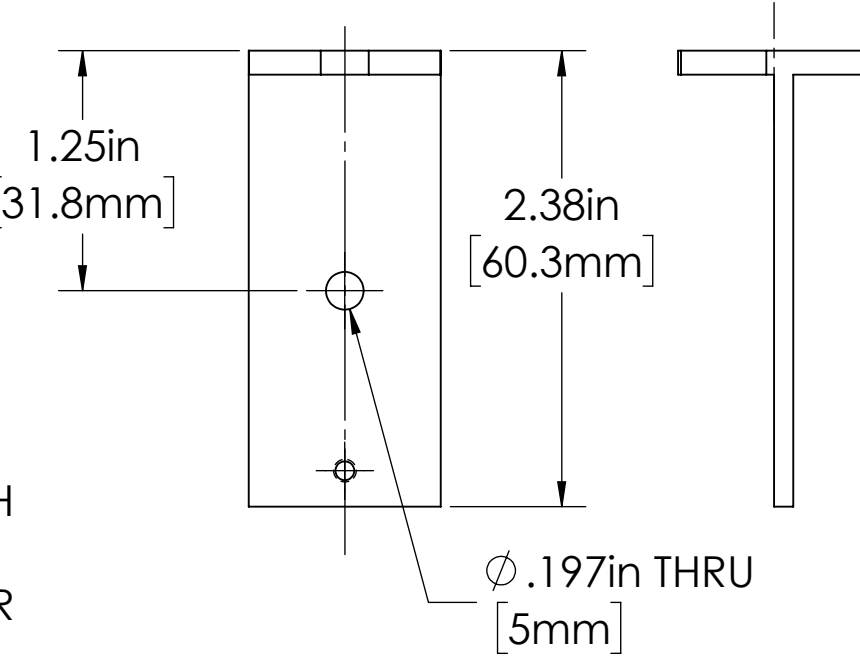
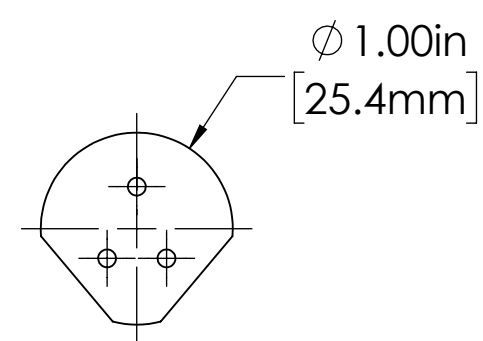
REVISION STATUS			
REV.	DESCRIPTION	DATE	BY
A	INITIAL RELEASE	01/18/2018	MG



2X ϕ 1.00 [25.4mm]
 CLEARVIEW EPOXY
 SEALED FUSED QUARTZ
 WINDOW

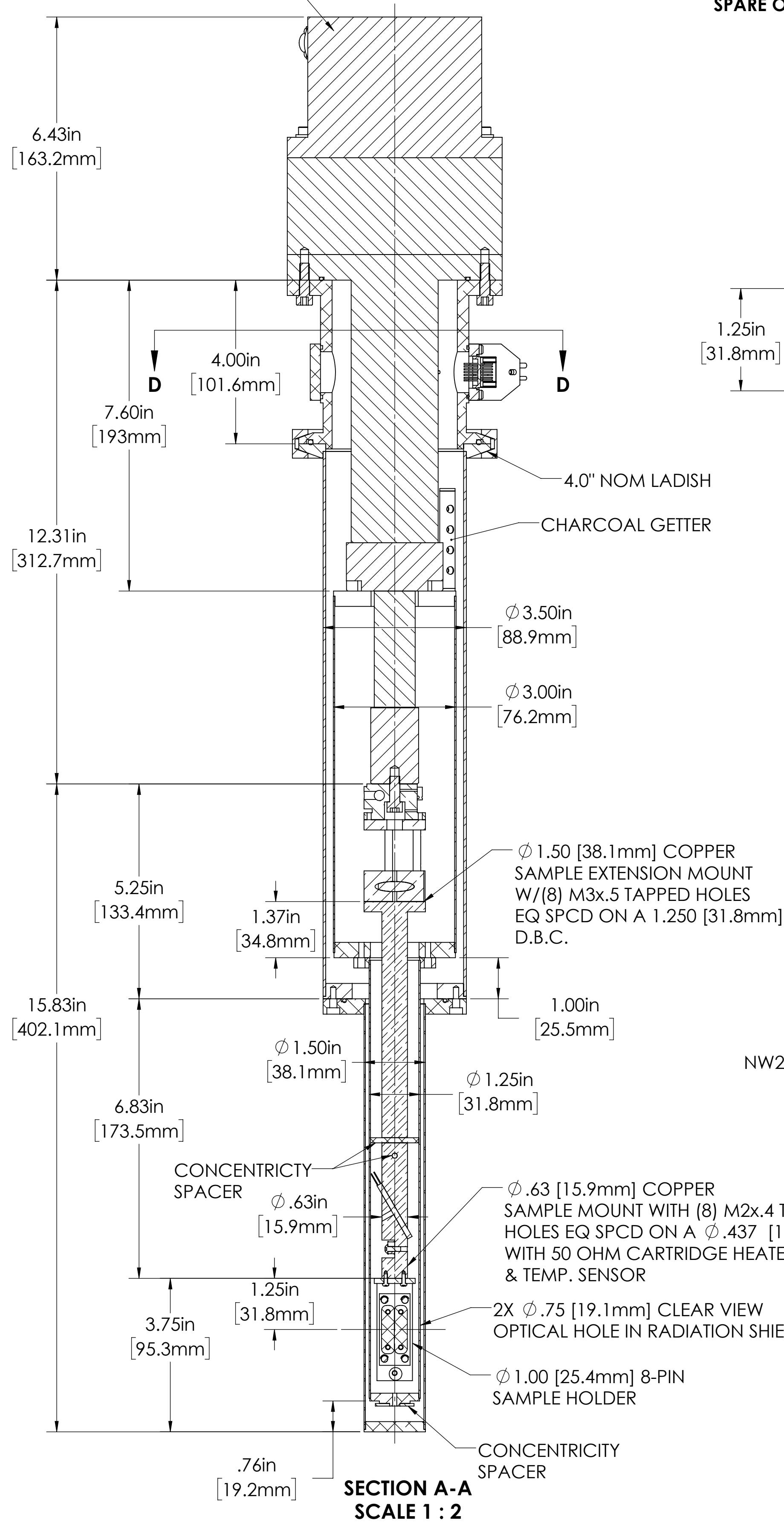


SPARE OPTICAL VACUUM SHROUD



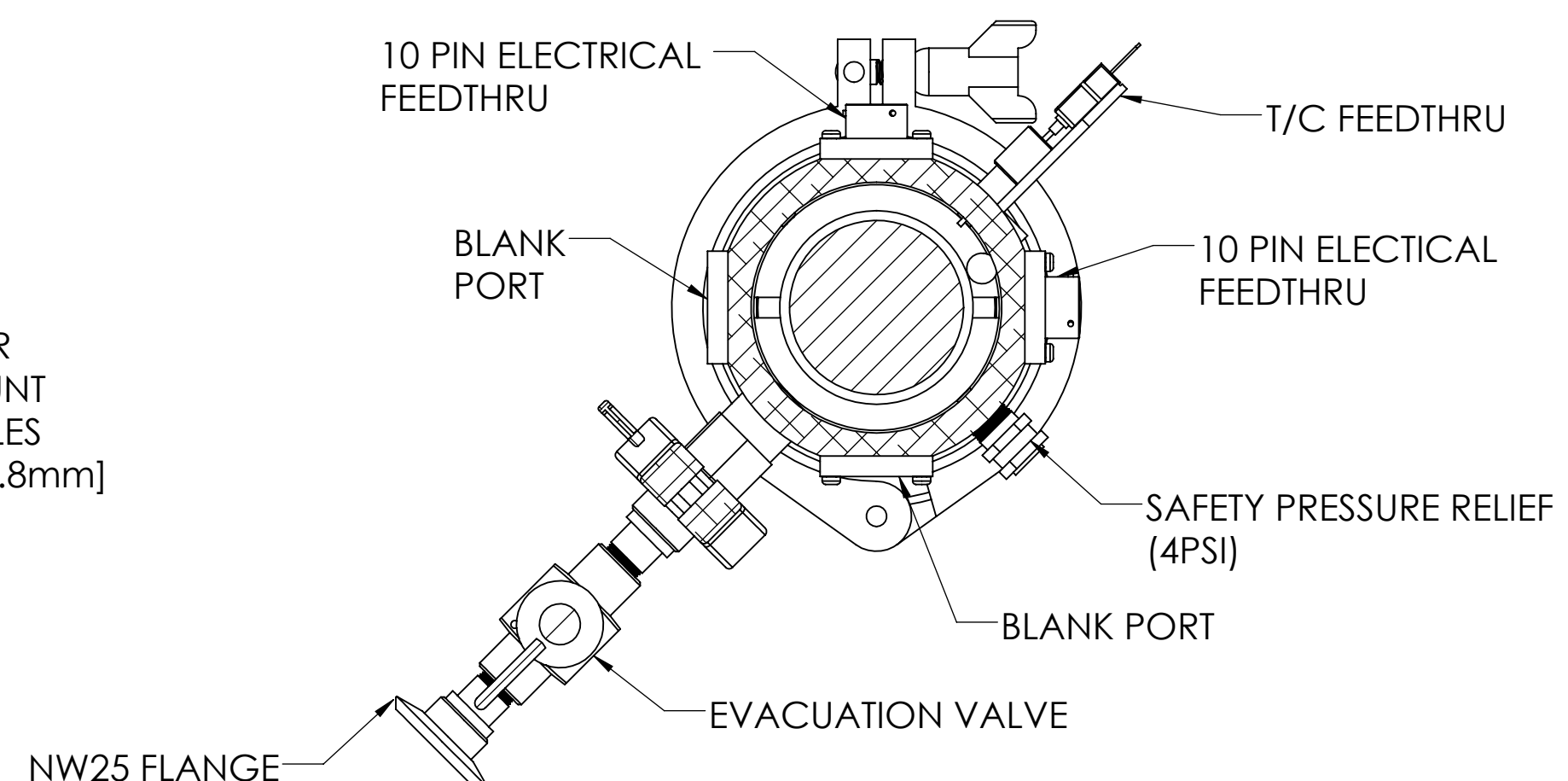
SPARE SAMPLE HOLDER

CH-204 REFRIGERATOR

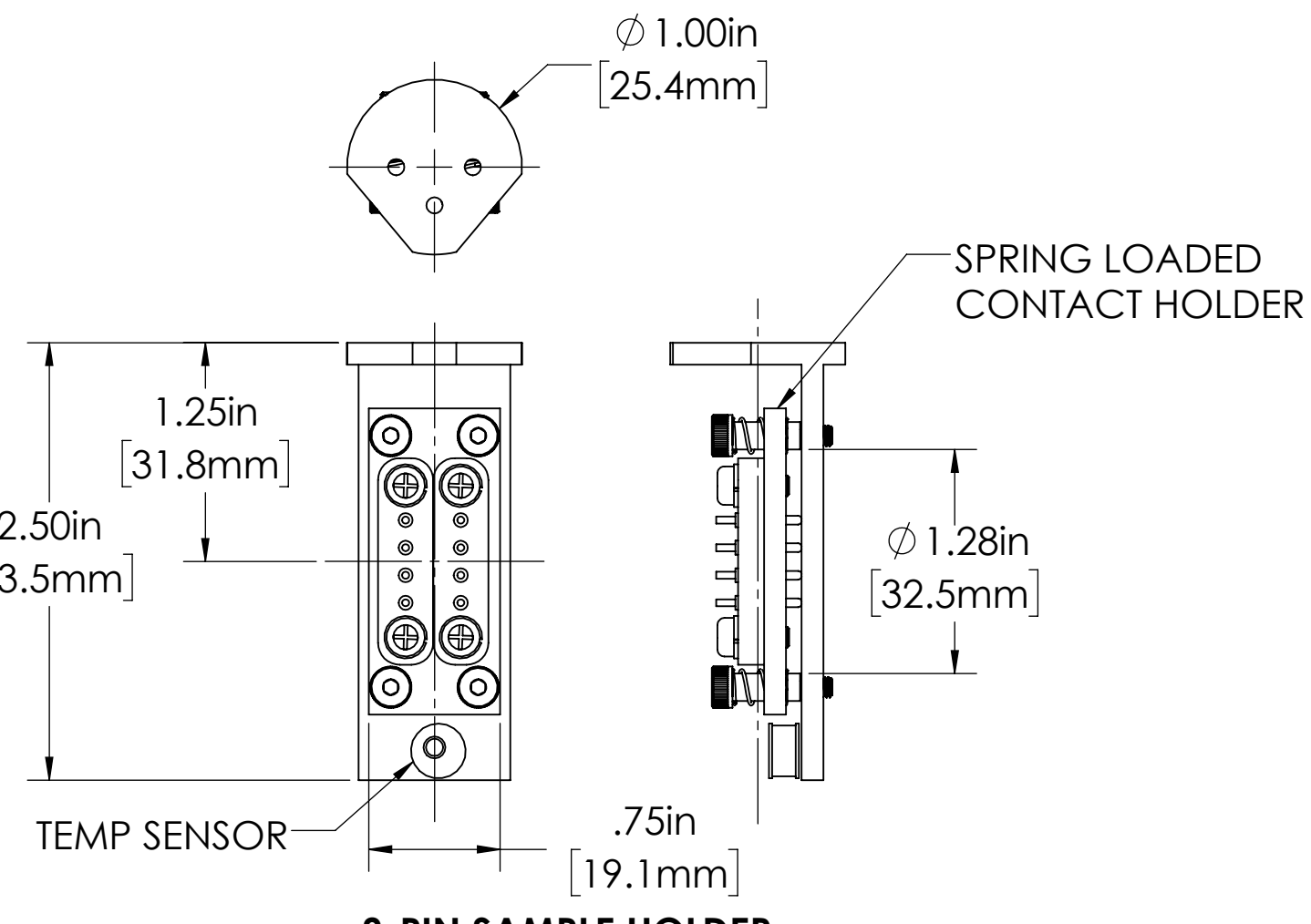


SECTION A-A
 SCALE 1 : 2

500K MAX TEMP



SECTION D-D
 SCALE 1 : 2



8-PIN SAMPLE HOLDER

<p>Research Company A World Leader in Cryogenics since 1961 225 Wildwood Avenue Woburn, MA 01801</p>	<p>UNLESS OTHERWISE SPECIFIED DIMENSIONS ARE IN INCHES DO NOT SCALE DRAWING REMOVE ALL SHARP EDGES AND CORNERS NO RANDOM SCRATCHES/TOOLING MARKS ALLOWED MACHINED SURFACES 32/</p> <p>THIRD ANGLE PROJECTION</p> <p>TOLERANCE .X ± .1 XXXX ± .0005 .XX ± .01 FRAC ± .1 .XXX ± .005 ANGLE ± °</p> <p>DRAWING PER ANSI Y14.5</p>	MATERIAL:	DRAWN BY:	M. Gorski	TITLE:	CCS-400ST/204 NON-OPTICAL CRYOSTAT			
		FINISH:	APP'D BY:		APP'D DATE:	01/15/2017	SIZE	DWG NO:	REV
		STOCK	JOB NO:				D	D12-18-17A	A
		WELDING	QTY REQD:				SCALE: 1:4	ITEM NO:	SHEET 1 OF 3
MODIFY									