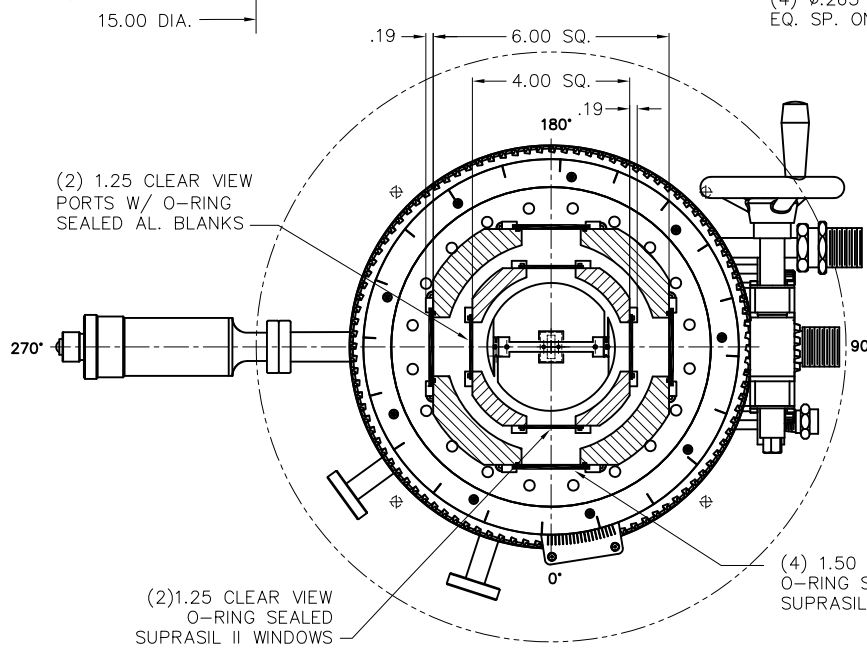
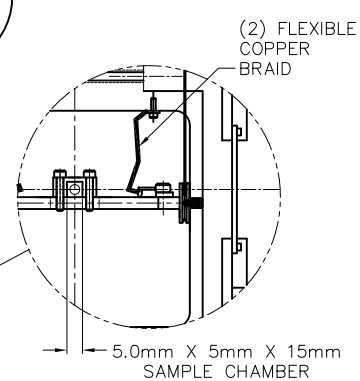
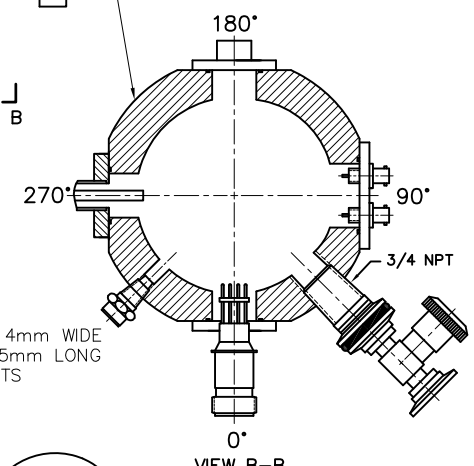
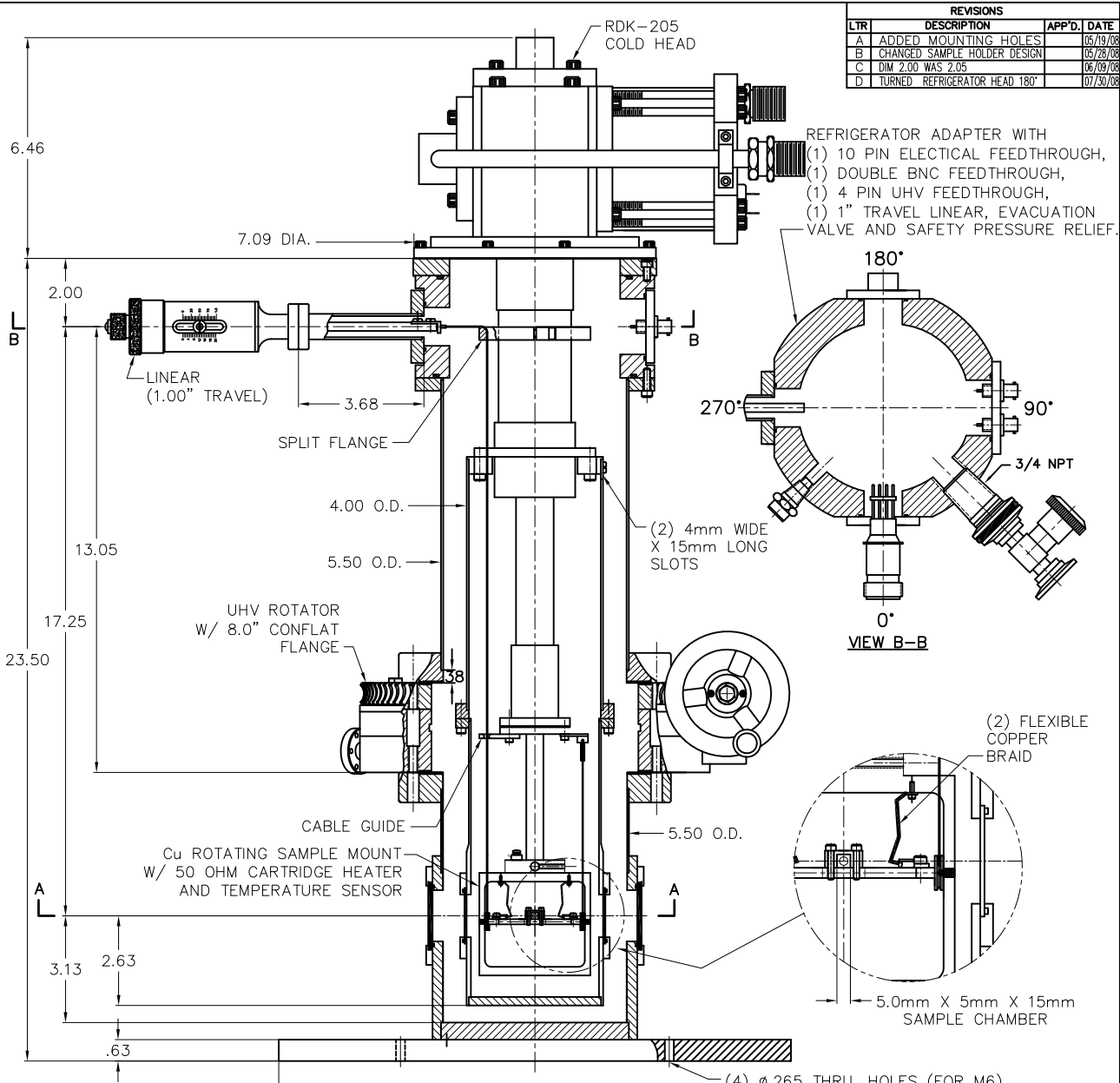


REVISIONS			
LTR	DESCRIPTION	APP'D.	DATE
A	ADDED MOUNTING HOLES		06/19/08
B	CHANGED SAMPLE HOLDER DESIGN		06/28/08
C	DIM 2.00 WAS 2.05		06/09/08
D	TURNED REFRIGERATOR HEAD 180°		07/30/08



NOTE: ALL DIMENSIONS ARE IN INCHES

<p>CONFIDENTIAL AND PROPRIETARY</p> <p>THIS DRAWING AND/OR INFORMATION CONTAINED HEREIN IS THE SOLE PROPERTY OF THE JANIS RESEARCH COMPANY AND IS NOT TO BE RELEASED OR DIVULGED TO THIRD PARTIES WITHOUT THE EXPRESSED, WRITTEN CONSENT OF THE JANIS RESEARCH COMPANY, INC.</p>			<p>APPROVALS</p> <table border="1"> <tr> <th>DEPT.</th> <th>SIG.</th> <th>DATE</th> </tr> <tr> <td> </td> <td> </td> <td>04/28/08</td> </tr> <tr> <td> </td> <td> </td> <td> </td> </tr> <tr> <td> </td> <td> </td> <td> </td> </tr> <tr> <td> </td> <td> </td> <td> </td> </tr> <tr> <td> </td> <td> </td> <td> </td> </tr> <tr> <td> </td> <td> </td> <td> </td> </tr> <tr> <td> </td> <td> </td> <td> </td> </tr> </table>			DEPT.	SIG.	DATE			04/28/08																			<p>JANIS RESEARCH CO.</p> <p>WILMINGTON, MA.</p>		
			DEPT.	SIG.	DATE																											
		04/28/08																														
<p>RELEASED TO MFG BY</p> <p>CUST. APPROVAL BY</p>			<p>TITLE</p> <p>SPECIAL SHI-4-5 CRYOSTAT</p>																													
<p>SIZE</p> <p>D</p>			<p>DRAWING NO.</p> <p>D04-28-08B</p>																													
<p>SCALE</p> <p>5/8</p>			<p>REV.</p> <p>D</p>																													
<p>SHT</p> <p>1</p>			<p>OF</p> <p>1</p>																													