

OUTLINE DWG. VARIATION NO.		MODEL AND ASSY. VAR. NO.	POWER OPERATION	MINIMUM TEMP
266652D-C		266652D	50/60 Hz.	10K
266652D-N-C		266652D-N	50/60 Hz.	6.5K

MATERIAL LEGEND	
DESIGNATION	MATERIAL
[Hatched Pattern]	STN. STL.
[Cross-hatched Pattern]	ALUMINUM
[Diagonal Hatched Pattern]	COPPER, OFHC

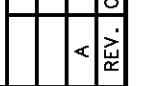
PROJECT: expander_ch204s

INLET GAS FITTING,
MALE HALF COUPLING
AEROQUIP #5400-S2-8UL
w/ DUST CAP

OUTLET GAS FITTING,
MALE HALF COUPLING
AEROQUIP #5400-S2-8UL
w/ DUST CAP

TITLE	
OUTLINE DRAWING COLD HEAD ASSEMBLY CH-204S	
NO.	266652D-C
SHEET	1 OF 2

REV.	CRSP NO.	DATE	BY	MFG.	QUAL.	ENGR.
A	----	10 FEB 09	JPK	ERS	RGS	RBS
		15 MAR 06	JPK	YB	RGS	ERS



PROPRIETARY NOTICE: THIS DOCUMENT IS THE PROPERTY OF SUMITOMO (SHI) CRYOGENICS OF AMERICA, INC., AND SHALL NOT, WITHOUT THE EXPRESS WRITTEN PERMISSION OF SCAI, BE REPRODUCED OR COPIED IN WHOLE OR IN PART BY ANY PERSON OUTSIDE OF SCAI OR, IF LOANED BY SCAI TO SUCH PERSON, SHALL NOT BE USED FOR FURNISHING INFORMATION TO ANY THIRD PARTY OR FOR ANY PURPOSE OTHER THAN THAT FOR WHICH IT IS LOANED.

FORM NO. DD102089-A Rev. B (3/00)

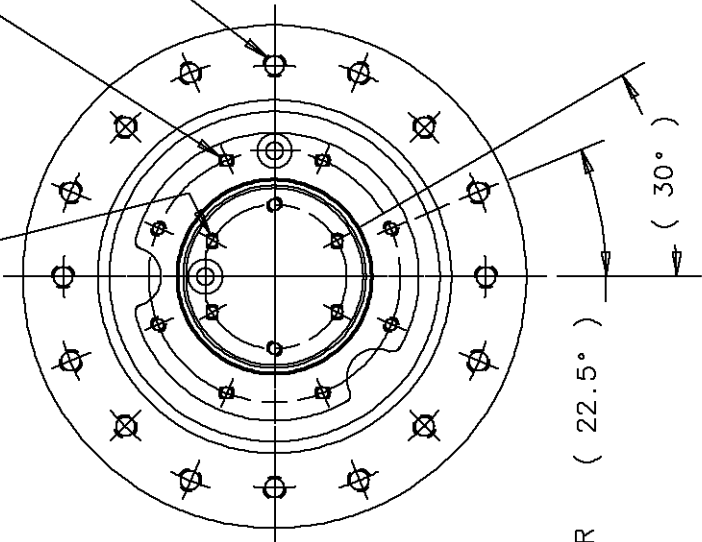
2nd STAGE HEAT STATION
MOUNTING HOLES
M4 x 0.7-6H THD. THRU
(6) HOLES EQ. SPACED ON
A ϕ 1.500 [38.1 mm] B.C.

VARIABLE ORIFICE

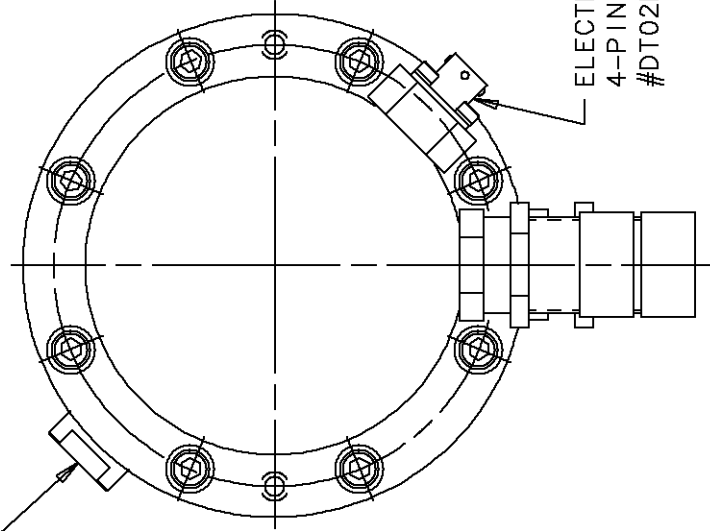
1st STAGE HEAT STATION
MOUNTING HOLES
M4 x 0.7-6H THD. THRU
(8) HOLES EQ. SPACED ON A
 ϕ 2.625 [66.7 mm] B.C.

WARM FLANGE MOUNTING HOLES
M6 x 1.0-6H THD. x
.62 [15.7 mm] DP.
(8) HOLES EQ. SPACED ON A
 ϕ 4.409 [112 mm] B.C.

ELECTRICAL CONNECTOR
4-PIN, DETORONICS
#DT02H-8-4PN



VIEW Z-Z



VIEW Y-Y

TITLE

OUTLINE DRAWING
COLD HEAD ASSEMBLY
CH-204S

REV. A



NO. 266652D-C
SHEET 2 OF 2

REV.	CRSP NO.	DATE	BY	MFG.	QUAL.	ENGR.
	15 MAR 06		JPK	YB	RGS	ERS

PROPRIETARY NOTICE: THIS DOCUMENT IS THE PROPERTY OF SUMITOMO (SHI) CRYOGENICS OF AMERICA, INC., AND SHALL NOT, WITHOUT THE EXPRESS WRITTEN PERMISSION OF SCAI, BE REPRODUCED OR COPIED IN WHOLE OR IN PART BY ANY PERSON OUTSIDE OF SCAI OR, IF LOANED BY SCAI TO SUCH PERSON, SHALL NOT BE USED FOR FURNISHING INFORMATION TO ANY THIRD PARTY OR FOR ANY PURPOSE OTHER THAN THAT FOR WHICH IT IS LOANED.
FORM NO. DD102089-A Rev. B (3/00)