



Helmholtz Coils



Field standards

- Field accuracy of 0.75%
- Field uniformity of 0.5%*
- Standard field coil (field generation)
- Maximum field strengths from ≈ 26 G to ≈ 60 G
- Single axis configuration with 2.5 in, 6 in, and 12 in diameter coils

Magnet moment measurement

- Calibration accuracy of 0.5%
- Use with Model 480 fluxmeter only
- Inspection and research of magnets (measure moment)
- Single and 2-axis configurations with 2.5 in, 6 in and 12 in diameter coils



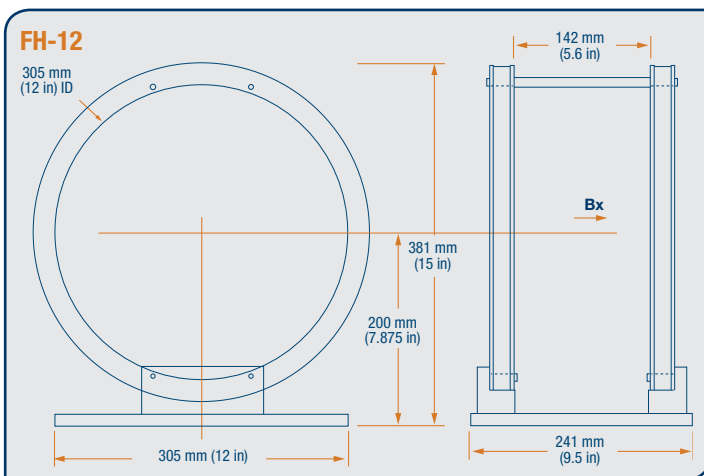
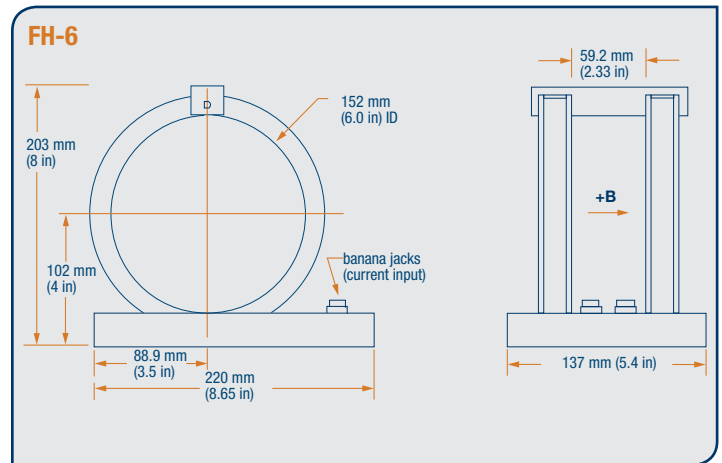
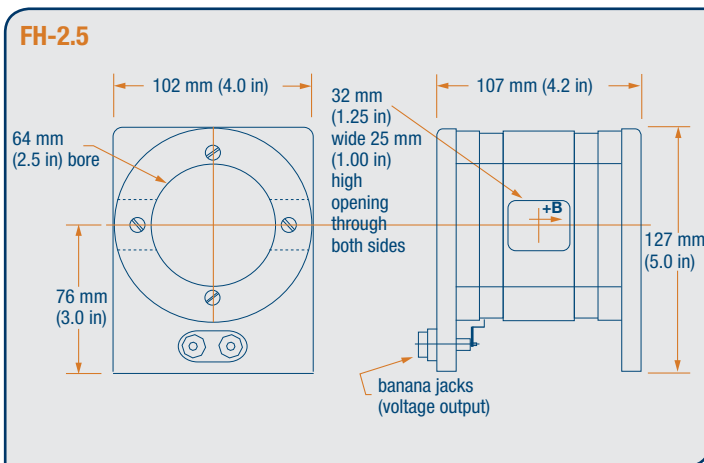
*Model dependent, see technical specifications



Magnet moment measurement for use with the Model 480 fluxmeter only

We offer 3 Helmholtz coils for fluxmeter moment measurements: 64 mm (2.5 in), 152 mm (6 in), and 305 mm (12 in) diameter.

	FH-2.5		FH-6		FH-12	
Calibration accuracy	0.75%					
Inside diameter	64 mm (2.5 in)		152 mm (6 in)		305 mm (12 in)	
Coil resistance (approx)	35 Ω		110 Ω		140 Ω	
Operating temperature range	0 °C to 60 °C					
Coil constant (approx)	0.013 Wb-cm/V-s		0.016 Wb-cm/V-s		0.047 Wb-cm/V-s	
Input resistance (fluxmeter)	10 k Ω	100 k Ω	10 k Ω	100 k Ω	10 k Ω	100 k Ω
Range (approx)	390 μ Wb-cm		480 μ Wb-cm		1.4 mWb-cm	
	39 μ Wb-cm		48 μ Wb-cm		140 μ Wb-cm	



Ordering information

Part number	Description
FH-2.5	64 mm (2.5 in) Helmholtz coil
FH-6	152 mm (6 in) Helmholtz coil
FH-12	305 mm (12 in) Helmholtz coil

All specifications are subject to change without notice.

NOTE: The FH Series coils are for use with the Lake Shore Model 480 fluxmeter only. They cannot be used with the Model 475, 455, 460, 450, or 421 gaussmeters.